

VX 520

Installation Guide

VX 520 Installation Guide
© 2010 VeriFone, Inc.

All rights reserved. No part of the contents of this document may be reproduced or transmitted in any form without the written permission of VeriFone, Inc.

The information contained in this document is subject to change without notice. Although VeriFone has attempted to ensure the accuracy of the contents of this document, this document may include errors or omissions. The examples and sample programs are for illustration only and may not be suited for your purpose. You should verify the applicability of any example or sample program before placing the software into productive use. This document, including without limitation the examples and software programs, is supplied "As-Is."

VeriFone, the VeriFone logo, Omni, VeriCentre, Verix, and ZonTalk are registered trademarks of VeriFone. Other brand names or trademarks associated with VeriFone's products and services are trademarks of VeriFone, Inc.

All other brand names and trademarks appearing in this manual are the property of their respective holders.

Comments? Please e-mail all comments on this document to your local VeriFone Support Team.

VeriFone, Inc.
2099 Gateway Place, Suite 600
San Jose, CA, 95110 USA

www.verifone.com

VeriFone Part Number DOC252-003-EN-B, Revision B



PREFACE	5
Audience	5
Organization	5
Related Documentation	5
Conventions and Acronyms	6
Document Conventions	6
Acronym Definitions	6
 CHAPTER 1	
Terminal Overview	
VX 520 Terminal	10
VX 520 Features and Benefits	10
VX 520 Sprocket Terminal	13
VX 520 Sprocket Features and Benefits	13
 CHAPTER 2	
Terminal Setup	
VX 520 Setup	16
Selecting Terminal Location	16
Unpacking the Shipping Carton	17
Examining Terminal Features	18
Establishing Telephone Line Connections	22
Installing a Paper Roll in the Printer	22
Installing/Replacing MSAM Cards	24
Connecting Optional Devices	26
Connecting the Terminal Power Pack	29
Privacy Shield (Optional)	30
Using the Smart Card Reader	30
Using the Magnetic Card Reader	31
VX 520 Sprocket Setup	32
Selecting Terminal Location	32
Unpacking the Shipping Carton	33
Examining Terminal Features	34
Establishing Telephone and Line Connections	38
Installing Paper Tray	38
Installing Paper in the Tray	39
Installing/Replacing MSAM Cards	39
Connecting Optional Devices	40
Connecting the Terminal Power Pack	42
Privacy Shield (Optional)	43
Using the Smart Card Reader	44
Using the Magnetic Card Reader	45

CHAPTER 3		
Specifications	VX 520 Specifications	48
	Power	48
	DC Power Pack	48
	Temperature	48
	External Dimensions	48
	VX 520 Sprocket Specifications	49
	Power	49
	DC Power Pack	49
	Temperature	49
	External Dimensions	49
CHAPTER 4		
Maintenance	Clean the Terminal	51
	Terminal Contacts	51
	Smart Card Reader	51
CHAPTER 5		
VeriFone Service and Support	Return a Terminal for Service	53
	Accessories and Documentation	54
	Power Pack	54
	Printer Paper	54
	Supplementary Hardware	54
	VeriFone Cleaning Kit	55
	Telephone Line Cord	55
	Documentation	55
CHAPTER 6		
Troubleshooting Guidelines	Blank Display	57
	Terminal Does Not Dial Out	58
	Printer Paper Jam	58
	Keypad Does Not Respond	58
	Peripheral Device Does Not Work	58
	Transactions Fail To Process	59
	Printer Does Not Print	60
	Terminal Display Does not Show Correct or Readable Information	60
	Terminal Does Not Start	60
	INDEX	61



This guide is your primary source of information for setting up and installing the VX 520 terminal.

Audience

This guide is useful for anyone installing and configuring a VX 520 terminal. This manual also provides a basic description of the terminal features.

Organization

This guide is organized as follows:

[Chapter 1, Terminal Overview](#). Provides an overview of the VX 520 terminals.

[Chapter 2, Terminal Setup](#). Explains how to set up and install the VX 520 terminals. It tells you how to select a location, establish power and telephone line connections, and how to configure optional peripheral devices.

[Chapter 3, Specifications](#). Discusses power requirements and dimensions of the VX 520 terminals.

[Chapter 4, Maintenance](#). Explains how to maintain your VX 520 terminals.

[Chapter 5, VeriFone Service and Support](#). Provides information on contacting your local VeriFone representative or service provider, and information on how to order accessories or documentation from VeriFone.

[Chapter 6, Troubleshooting Guidelines](#). Provides troubleshooting guidelines, should you encounter a problem in terminal installation and configuration.

Related Documentation

To learn more about the VX 520 terminal, refer to the following set of documents:

<i>VX 520 Certifications and Regulations</i>	VPN DOC252-001-EN
<i>VX 520 Quick Installation Guide</i>	VPN DOC252-002-EN
<i>VX 520 Reference Manual</i>	VPN DOC252-004-EN
<i>VX 520 Sprocket Printer Certifications and Regulations</i>	VPN DOC252-006-EN
<i>VX 520 Sprocket Printer Quick Installation Guide</i>	VPN DOC252-007-EN




Conventions and Acronyms

This section describes the conventions and acronyms used in this guide.

Document Conventions

Various conventions are used to help you quickly identify special formatting. Table 1 describes these conventions and provides examples of their use.

Table 1 Document Conventions

Convention		
Blue	Text in blue indicates terms that are cross-referenced.	See Conventions and Acronyms .
<i>Italics</i>	Italic typeface indicates book titles or emphasis.	You <i>must</i> install a roll of thermal-sensitive paper in the printer.
Courier	The courier type face is used while specifying onscreen text, such as text that you would enter at a command prompt, or to provide an URL.	<code>http://www.verifone.com</code>
	The pencil icon is used to highlight important information.	RS-232-type devices do not work with the PIN pad port.
	The caution symbol indicates possible hardware or software failure, or loss of data.	The terminal is not waterproof or dust proof, and is intended for indoor use only.
	The lightning symbol is used as a warning when bodily injury might occur.	Due to risk of shock do not use the terminal near water.

Acronym Definitions

Various acronyms are used in place of the full definition. Table 2 presents acronyms and their definitions.

Table 2 Acronym Definitions

Acronym	Definitions
AC	Alternating Current
ATM	Automated Teller Machine
CPU	Central Processing Unit
CR	Check Reader
CTLS	Contactless
DC	Direct Current
EMV	Europay MasterCard and VISA
ITP	Internal Thermal Printer
LCD	Liquid Crystal Display

Table 2 **Acronym Definitions** (continued)

Acronym	Definitions
LED	Light Emitting Diode
MRA	Merchandise Return Authorization
MSAM	Micromodule-Size Security Access Module
PCI	Payment Card Industry
PED	PIN-Entry Devices
PIN	Personal Identification Number
RAM	Random Access Memory
RJ-11	Registered Jack 11
RJ-45	Registered Jack 45
RS-232	Recommended Standard 232
SAM	Security Access Module
VPN	VeriFone Part Number



Terminal Overview

Use this chapter to find out more about the features and benefits of VX 520 terminals. The VX 520 standard terminal comes with an internal thermal printer (ITP) while the VX 520 Sprocket terminal comes with a dot-matrix, sprocket-fed printer. Choose the model you want to preview:

- [VX 520 Terminal](#)
- [VX 520 Sprocket Terminal](#)

VX 520 Terminal

This section provides a brief description of the VX 520 terminal:

- The VX 520 is a high performance countertop terminal with enhanced communication options.
- The VX 520 offers several communication options, enhanced display, increased processing power, expanded memory, and two USB peripheral ports.

The VX 520 terminal uses a robust, sleek, and highly functional design.

NOTE



VeriFone ships variants of the VX 520 terminals for different markets. Your terminal may have a different configuration from the features described in this section.



Figure 1 VX 520 Terminal

VX 520 Features and Benefits VX 520 terminals provide the right combination of features and functions. This includes a triple-track magnetic-stripe card reader, landed smart card reader, integrated PIN pad, a quiet internal thermal printer (ITP).

Connectivity

- Host USB port
- Client USB port
- RJ-11 port
- RS-232 port
- Ethernet Port

NOTE



The connectivity ports are easily accessible from the underside of the terminal.

NOTE



VeriFone ships variants of the VX 520 terminals for different markets. Your terminal may have a different configuration from the features described in this section.

Performance

- 400 MHz Processor (CPU)
- Increased memory (128 MB Flash, 32 MB RAM)
- 128/64 white backlit LCD
- Fastest encryption/decryption appliance on the market
- Backlit keypad

Security

- Increased Security (PCI 2.0)
- SDA DDA encryption ready
- Leading ECC Performance Benchmark

Form Factor

- The VX 520 is ergonomically designed to fit both the traditional countertop and hand-over models.

Exceptional Ease of Use

- The bold design is sleek, stylish, and lightweight for conveniently handing the terminal to the consumer for PIN entry or other input.
- An intuitive ATM-style interface, a large 8-line by 21-character backlit display with backlit keypad, and extra-size menu prompts, simplify training and reduce help desk calls.
- The integrated printer simplifies paper loading and reduces paper jams.
- The triple-track, high-coercivity card reader handles most magnetic stripe cards.

Countertop Performance in a Hand-Over Design

- The 32-bit processing and multi-tasking capabilities ensures fast processing of payment, payment-related, and value-added applications.
- Exceptional display and printer graphics-handling capabilities that quickly render logos, graphical fonts, and character-based languages.
- The VX 520 series of terminals ensures uncompromising reliability from VeriFone, the worldwide leader in POS solutions.

True Multi-Application Capability

- The VX 520 terminal offers 32 MB of RAM, and 128 MB Flash memory, which supports multiple applications on a single terminal.
- The primary smart card reader and the MSAMs safeguard sensitive financial data and support multiple smart card schemes.
- VX 520 terminals and SoftPay EMV software are certified for EMV Level 1 and Level 2 Type approval for smart card solutions. The Verix V or V^x EMV Library provides development of other EMV-compliant applications.
- The VeriShield security architecture meets published specifications for PCI PED and provides sophisticated file authentication to prevent execution of unauthorized software on VX 520 terminals.

VX 520 Sprocket Terminal

This section provides a brief description of the VX 520 Sprocket terminal:

- An optional configuration of the VX 520 replaces the thermal printer with a sprocket printer, an additional telephone port (RJ-11) and power buttons.
- The VX 520 Sprocket configuration enjoys the same communication and performance capabilities as the standard VX 520.

The VX 520 Sprocket terminal uses a robust, highly functional design.



Figure 2 VX 520 Sprocket Terminal

VX 520 Sprocket Features and Benefits

VX 520 Sprocket terminals provide the right combination of features and functions. This includes a triple-track magnetic-stripe card reader, landed smart card reader, integrated PIN pad, and a dot-matrix impact printer.

Connectivity

- Host USB port
- Client USB port
- RJ-11 ports (1 telco and 1 line)
- RS-232 port
- Ethernet Port

Performance

- 400 MHz Processor (CPU)
- 160 MB total memory (128 MB Flash, 32 MB RAM)
- 128/64 white backlit LCD
- Fastest encryption/decryption appliance on the market

Security

- PCI PED 2.0 security

Exceptional Ease of Use

- Soft power buttons. Pressing the Enter key for at least three seconds powers terminal on, while pressing the Cancel key for at least four seconds powers the terminal off.
- An intuitive ATM-style interface, a large 8-line by 21-character backlit display, and extra-size menu prompts, simplify training and reduce help desk calls.
- The integrated printer simplifies paper loading and reduces paper jams.
- The triple-track, high-coercivity card reader handles most magnetic stripe cards.

Countertop Performance with 76 mm Punch Hole Paper Support

- The 32-bit processing and multi-tasking capabilities ensures fast processing of payment, payment-related, and value-added applications.
- Exceptional display and printer graphics-handling capabilities that quickly render logos, graphical fonts, and character-based languages.
- The VX 520 Sprocket series of terminals ensures uncompromising reliability from VeriFone, the worldwide leader in POS solutions.

True Multi-Application Capability

- The VX 520 Sprocket terminal offers 32 MB of RAM, and 128 MB Flash memory, which supports multiple applications on a single terminal.
- The primary smart card reader and the MSAMs safeguard sensitive financial data and support multiple smart card schemes.
- VX 520 Sprocket terminals and SoftPay EMV software are certified for EMV Level 1 and Level 2 Type approval for smart card solutions. The Verix V or VX EMV Library provides development of other EMV-compliant applications.
- The VeriShield security architecture meets published specifications for PCI PED and provides sophisticated file authentication to prevent execution of unauthorized software on VX 520 Sprocket terminals.



Terminal Setup

Use this chapter to set up and use your VX 520 terminal. Package contents and setup procedures may vary for different VX 520 models: The standard VX 520 uses thermal paper rolls while the VX 520 Sprocket uses carbonized paper sheets. Use the procedures in this section to set up and use your terminal.

- [VX 520 Setup](#)
- [VX 520 Sprocket Setup](#)

VX 520 Setup

This section describes the setup procedures for the VX 520 terminal. You will learn about:

- Selecting Terminal Location
- Unpacking the Shipping Carton
- Examining Terminal Features
- Establishing Telephone Line Connections
- Installing a Paper Roll in the Printer
- Installing/Replacing MSAM Cards
- Connecting Optional Devices
- Connecting the Terminal Power Pack
- Privacy Shield (Optional)
- Using the Smart Card Reader
- Using the Magnetic Card Reader

Selecting Terminal Location

Use the following guidelines when selecting a location for your VX 520 terminal.

Ease of Use

- Select a location convenient for both merchant and cardholder.
- Select a flat support surface, such as a countertop or table.
- Select a location near a power outlet and a telephone/modem line connection. For safety, do not string the power cord in a walkway or place it across a walkway on the floor.

Environmental Factors

- Do not use the terminal where there is high heat, dust, humidity, moisture, or caustic chemicals or oils.
- Keep the terminal away from direct sunlight and anything that radiates heat, such as a stove or motor.
- Do not use the terminal outdoors.

CAUTION

The terminal is not waterproof or dustproof, and is intended for indoor use only. Any damage to the unit from exposure to rain or dust may void any warranty.

Electrical Considerations

- Avoid using this product during electrical storms.
- Avoid locations near electrical appliances or other devices that cause excessive voltage fluctuations or emit electrical noise (for example, air conditioners, electric motors, neon signs, high-frequency or magnetic security devices, or computer equipment).
- Do not use the terminal near water or in moist conditions.

Unpacking the Shipping Carton

Open the shipping carton and carefully inspect its contents for possible tampering or shipping damage. The VX 520 terminal is a secure product and any tampering may cause the device to cease to function properly.

To unpack the shipping carton

- 1 Remove and inspect the following items:
 - Terminal
 - Power pack
 - Telephone line cord
 - Power cord
- 2 Remove all plastic wrapping from the terminal and other components.
- 3 Remove the clear protective film from the LCD screen.



CAUTION Do not use a terminal that has been damaged or tampered with. The VX 520 terminal comes equipped with tamper-evident labels. If a label or component appears damaged, please notify the shipping company and your VeriFone representative or service provider immediately.

- 4 Save the shipping carton and packing material for future repacking or moving the terminal.

Examining Terminal Features Before you continue the installation process, notice the features of the VX 520 terminal (see Figure 3).

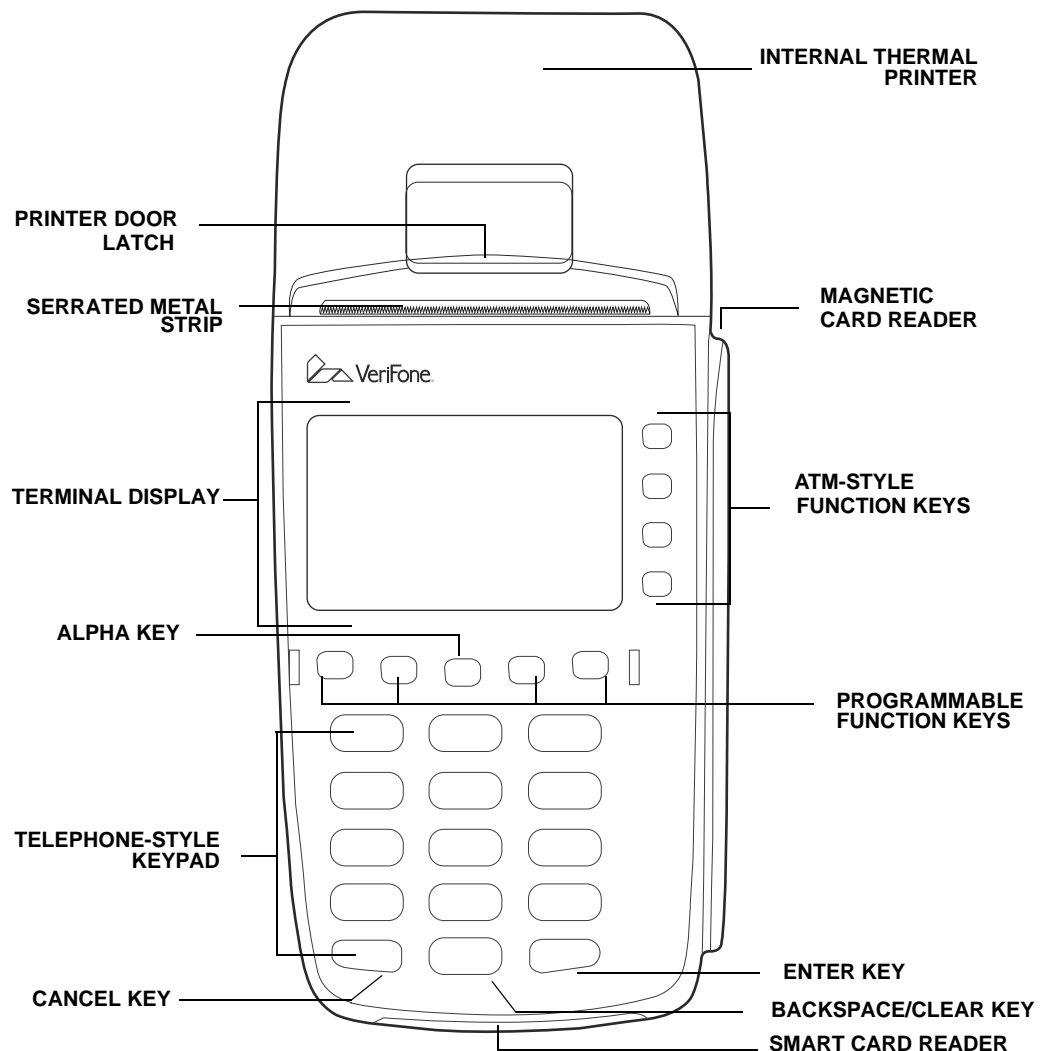


Figure 3 VX 520 Terminal Features (Front Panel)

NOTE






VeriFone ships variants of the VX 520 terminals for different markets. Your terminal may have a different configuration from the features described in this section.

Front Panel

The front panel includes the following features:

- A **terminal display**, backlit LCD screen.
- Five types of keys:
 - a A backlit 12-key, **telephone-style keypad**.
 - b Four **ATM-style function keys**, labeled F1 to F4, to the right of the LCD screen.

- c Four unlabeled, **programmable function keys** above the keypad.
- d Three **color-coded function keys** below the keypad (icons at right; from left to right: CANCEL, BACKSPACE/CLEAR, ENTER). 
- e An **ALPHA key** centered at the top of the keypad.
- A **magnetic card reader**, built into the right side. The icon at right shows the proper swipe direction, with the stripe down and facing inward, toward the keypad. 
- The VeriFone logo **blue indicator LED** indicates power is ON.
- An **internal thermal printer**.
- A **smart card reader**, built into the front of the terminal. The icon shown at right indicates proper card position and insertion direction. 
- Three **SAM (security access module) compartments**, built into the side of the terminal. The VX 520 terminal contains MSAM cardholders to support multiple stored-value card programs or other merchant card requirements.

NOTE



VeriFone ships variants of the VX 520 terminal for different markets. Your terminal may have a different configuration. However, the basic processes described in this guide remain the same, regardless of terminal configuration.

Connection Ports

Turn the terminal upside down and remove the rear cover to view the connection ports. Notice that the ports are recessed. Different ports provide connections to a communications line, optional peripheral devices, and the power supply.

Figure 4 shows how to open the rear cover of the VX 520 terminal.

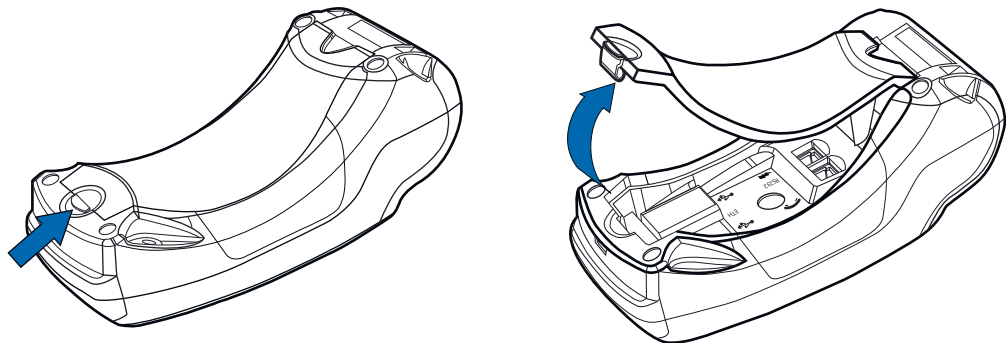


Figure 4 **Opening the Rear Cover**

Figure 5 and Figure 6 show the connection ports for the VX 520 terminal.

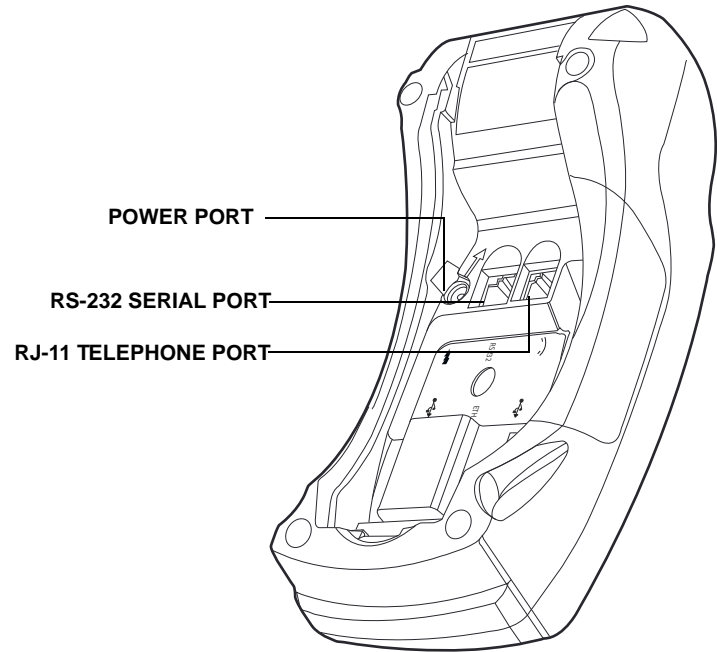


Figure 5 VX 520 Power and Connection Ports

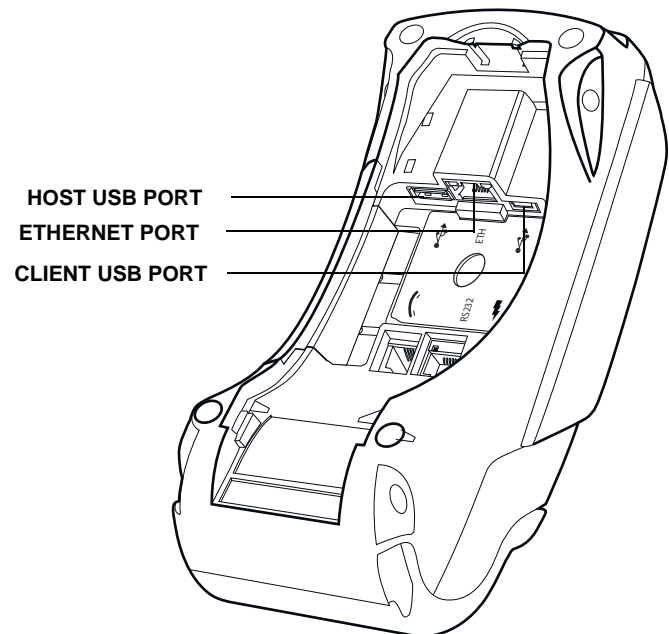


Figure 6 Additional VX 520 Connection Ports



WARNING Do not connect the terminal to the power supply until all the peripherals are attached.

To use the connection ports The connection ports offer multiple connectivity for the VX 520 terminal. Please refer to the following list of peripheral devices for the connectivity options.

Host USB Port

- PINpad 1000 USB
- Vx810 USB
- Barcode reader
- Biometric reader
- USB flash disk
- USB keyboards

Ethernet Port

- Ethernet cable to router, hub or switch

Client USB Port

- PC
- ECR/Cash register

RJ-11 Port

- Telephone line

RS-232 Port

- PINpad 1000
- Vx810
- PC download cable
- Computer
- ECR
- Check reader
- CTLS reader
- Biometric reader
- Barcode reader
- Keyboard

For information on how to attach peripheral devices, see [Connecting Optional Devices](#).

Establishing Telephone Line Connections

Connect the telephone cord to the communication port on the terminal, then route it directly to a telephone wall jack (see [Figure 7](#)). This is a direct connection and the line is dedicated to the terminal.

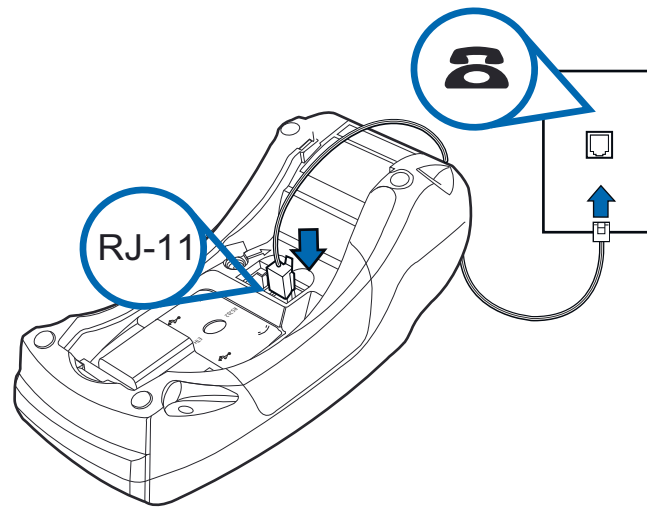


Figure 7 VX 520 Direct Telephone Connection



WARNING

To reduce the risk of fire, use only No. 26AWG or larger UL Listed or CSA Certified Telecommunication Line Cord.

Installing a Paper Roll in the Printer

Before you can process transactions that require a receipt or record, you *must* install paper in the printer.

The VX 520 uses a roll of single-ply, thermal-sensitive paper for either the 38 mm- or the 49 mm-diameter version.

A pink *out-of-paper* indicator line appears on the edge of the paper approximately 18 inches before the end of the roll. After this line appears, there is enough paper remaining on the roll to conclude at least one transaction.



CAUTION

Poor-quality paper can jam the printer and create excessive paper dust. To order high-quality VeriFone paper, refer to [Accessories and Documentation](#).

Store thermal paper in a dry, dark area. Handle thermal paper carefully: impact, friction, temperature, humidity, and oils affect the color and storage characteristics of the paper.

Never load a roll of paper with folds, wrinkles, tears, or holes at the edges.

- To install a paper roll**
- 1 Hook your finger under the latch and lift up to swing the paper roll cover open (see Figure 8).

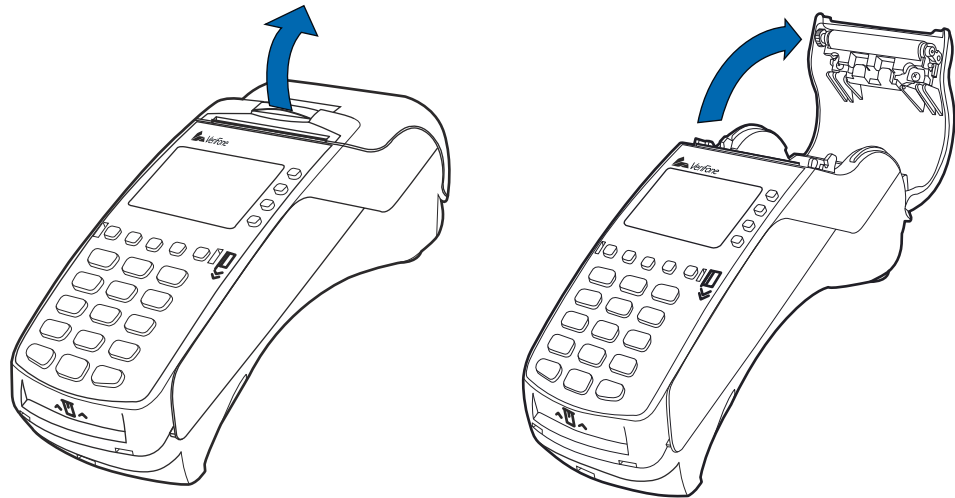


Figure 8 **Opening the Printer Cover**

- 2 Remove any partial roll of paper in the printer tray by lifting it up.
- 3 Loosen the glued leading edge of the new paper roll or remove the protective strip. Unwind the paper roll past any glue residue.
- 4 Hold the roll so the paper feeds from the *bottom* of the roll.
- 5 Drop the paper roll into the printer tray.

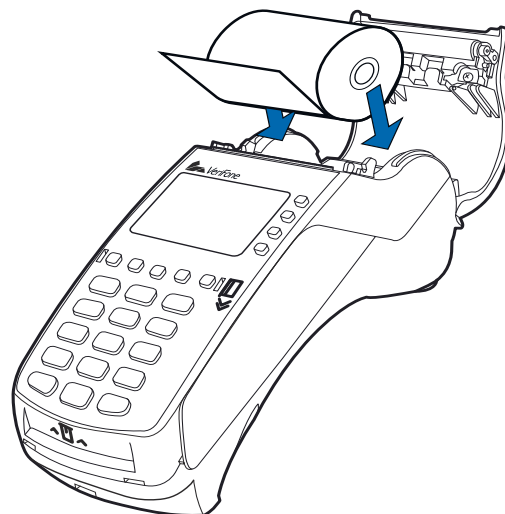


Figure 9 **Loading Paper Roll**

- 6 Pull paper up past the glue residue.

- 7 Close the paper roll cover by gently pressing directly on the cover until it clicks shut, allowing a small amount of paper past the glue residue to extend outside the printer door. (see [Figure 10](#)).



To prevent the paper roll cover from damaging the print roller, always gently press down on the printer dust cover to close it.



Figure 10 Closing Paper Roll Cover

- 8 Tear the paper off against the serrated metal strip in the printer.



For paper ordering information, refer to [Accessories and Documentation](#).

Installing/Replacing MSAM Cards

When you first receive your VX 520 terminal, you may need to install one or more MSAM cards or you may need to replace old cards.



Observe standard precautions when handling electrostatically sensitive devices. Electrostatic discharges can damage this equipment. VeriFone recommends using a grounded anti-static wrist strap.

**To install or replace
MSAMs**

- 1 Remove the power cord from the power outlet.
- 2 Place the terminal upside down on a soft, clean surface to protect the display from scratches.
- 3 Press the unlocking button and then lift the rear cover to access the MSAM cardholder panel.

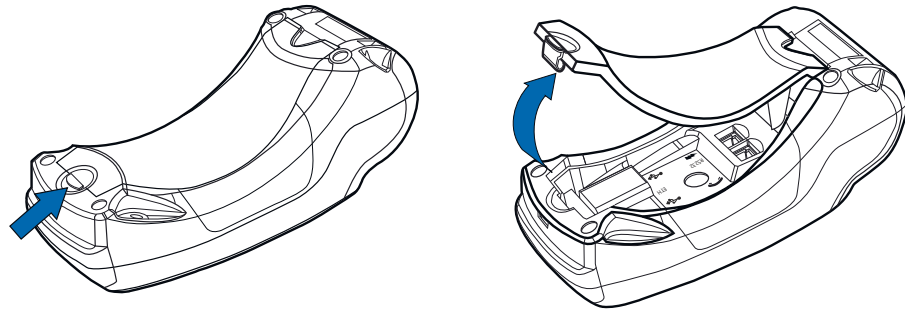


Figure 11 Opening VX 520 Rear Cover

- 4 Hold the MSAM cardholder panel, grasp firmly and pull upward to expose the MSAM slots.

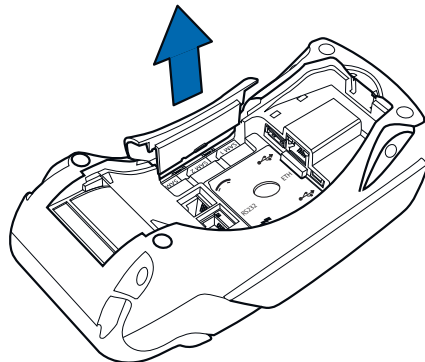


Figure 12 Removing MSAM Cover

- 4 Remove any previously installed MSAM card by sliding the card from the MSAM cardholder.

- 5 Install an MSAM card by carefully sliding it into the slot until it is fully inserted.

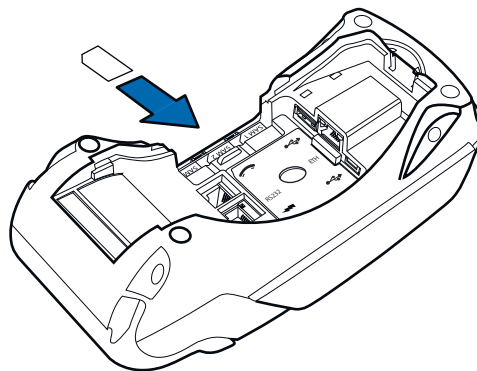


Figure 13 Installing an MSAM Card

NOTE



Before inserting the MSAM card, position it as shown in [Figure 13](#), with the card's gold contacts facing down. The cardholder connector base has an image resembling the notched corner of an MSAM card to ensure the card is positioned correctly.

- 6 Close the MSAM cardholder panel, and then replace the terminal rear cover.

Connecting Optional Devices

The VX 520 terminal supports some peripheral devices designed for use with electronic point-of-sale terminals.

CAUTION



Before connecting any peripheral device, remove the power cord from the terminal and ensure that the green indicator LED is not lit. Reconnect the power cord only *after* you are finished connecting the peripheral device(s). For complete information about peripheral installation and use, refer to the user documentation supplied with those devices.

Different terminals support different devices, so for more information about optional devices, please contact your VeriFone distributor.

Optional Device Connections

The VX 520 terminal has a port that can operate either as a PIN pad port or an RS-232 port, depending on the power source available.

Connecting the PIN pad or Smart Card Reader to the VX 520

Use the following procedures to connect a PIN pad or smart card reader.

NOTE



When the VX 520 terminal is powered via the corded power supply, the terminal provides 4.0 A at 9.3V DC. This power will drive most VeriFone accessories. Contact your local VeriFone representative for more information.

- 1 Remove the VX 520 terminal rear cover.
- 2 Insert the RJ-45-type connector of the PIN pad or smart card reader into the port of the peripheral device.

To install a PINpad 101, PINpad 201, or PINpad 1000, position and insert the grommet to secure the cable connection.

If a cable is not already connected to the smart card reader or PIN pad, insert the small modular plug on one end of the interface cable into the optional device's modular jack.

- 3 Insert the larger RJ-45-type connector on the other end of the PIN pad cable into the PIN pad serial port on the terminal. [Figure 14](#) provides an example of a smart card reader and PIN pad connection to the PIN pad serial port.

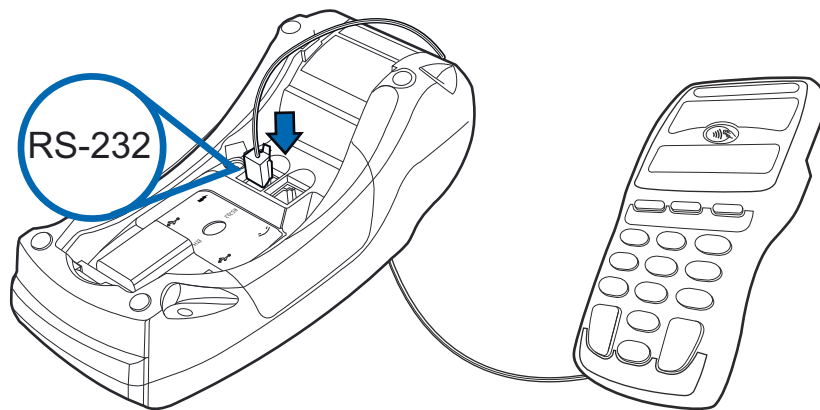


Figure 14 VX 520 Sample PIN Pad Connection

**Connecting ECRs to
the VX 520**

The VX 520 terminal also supports Electronic Cash Registers (ECR). Contact your VeriFone representative or visit the online store at www.store.verifone.com for information on these devices.

Figure 15 provides an example of a peripheral connection to the USB port.



ECRs require a separate power source. Before connecting a check reader or similar device, remove the power cord and ensure that the indicator LED is not lit.

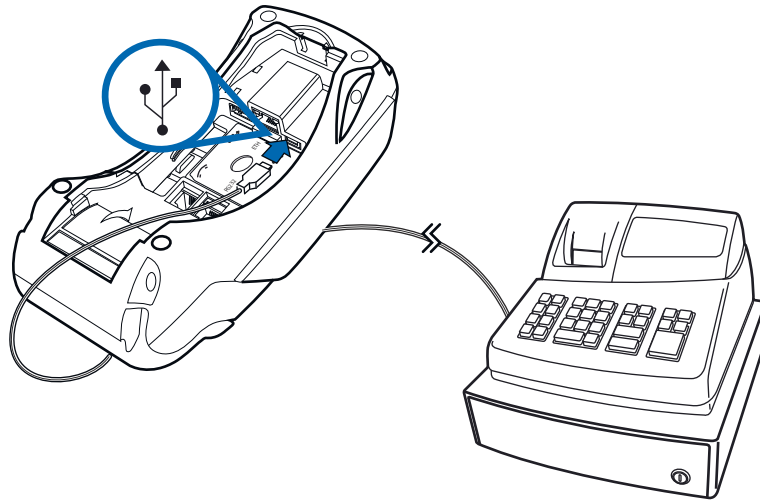


Figure 15 VX 520 Sample ECR Connection

Connecting the Terminal Power Pack

When you have finished connecting optional peripheral(s), you are ready to connect the VX 520 terminal to the provided power source.

CAUTION



Using an incorrectly rated power supply may damage the terminal or cause it not to work as specified. Before troubleshooting, ensure that the power supply being used to power the terminal matches the requirements specified on the bottom of the terminal. (See [Chapter 3, Specifications](#), for detailed power supply specifications.) Obtain the appropriately rated power supply before continuing with troubleshooting.

NOTE



Plugging in the power pack to a power source automatically turns on the terminal.

To connect the terminal power pack

- 1 Remove the terminal rear cover to access the power port.
- 2 Insert the round barrel connector (see [Figure 16](#)) into the power port.

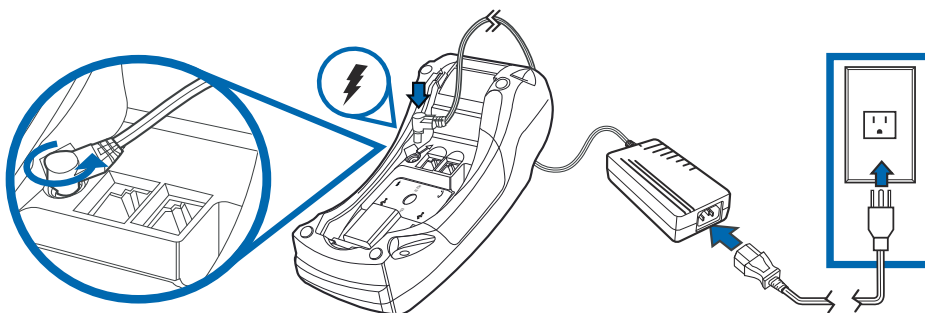


Figure 16 VX 520 Power Pack Connection

- 3 Rotate the power plug counter-clockwise and flush against the side panel to lock the plug in place.
- 4 Route the cable in the direction of the arrow above the power port and sling the cable over the underside of the thermal paper container.
- 5 Close the terminal rear cover.
- 6 Insert the AC power cord into the power pack.
- 7 Plug the AC power cord into a wall outlet or powered surge protector.

WARNING



Do not plug the power pack into an outdoor outlet or operate the terminal outdoors.

Disconnecting the power during a transaction may cause transaction data files not yet stored in terminal memory to be lost.

To protect against possible damage caused by lightning strikes and electrical surges, consider installing a power surge protector.

NOTE



VeriFone recommends connecting wall power in the following order:

- 1 Connect the terminal to the power supply.
- 2 Connect the power supply to the power cord.
- 3 Connect the power cord to the wall outlet.

When the terminal has power, the terminal lights are activated and the LED indicator remains lit.

If an application is loaded in the terminal, it starts after the initial VeriFone copyright screen and usually displays a unique copyright screen. If no application is loaded in the terminal, **DOWNLOAD NEEDED** appears on screen after the initial VeriFone copyright screen.

**Privacy Shield
(Optional)**

The privacy shield protects the customers' PIN entry from being seen by the cashier or other customers. The illustration shows an example of a VX 520 with the optional privacy shield.

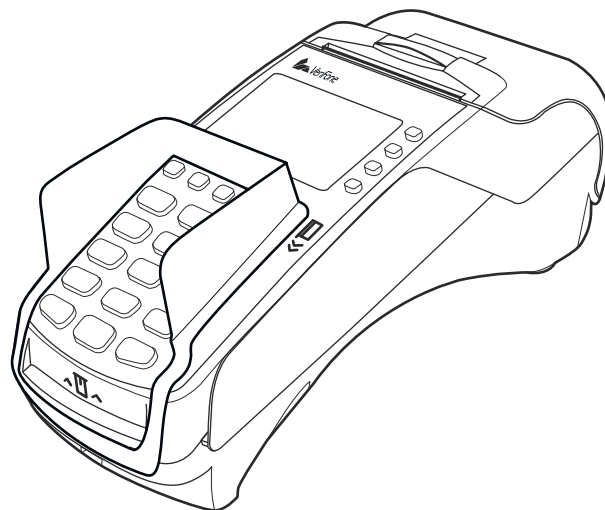


Figure 17 VX 520 Optional Privacy Shield

NOTE



Merchants who install the terminal without the privacy shield must ensure the cardholder's privacy when entering his PIN by positioning the terminal away from open view.

**Using the Smart
Card Reader**

The smart card transaction procedure may vary from one application to another. Verify the procedure with your application provider before performing a smart card transaction.

**To conduct a smart
card transaction**

- 1 Position a smart card with the contacts facing upward (see [Figure 18](#)).
- 2 Insert the smart card into the smart card reader slot in a smooth, continuous motion until it seats firmly.

- 3 Remove the card only when the application indicates the transaction is complete.

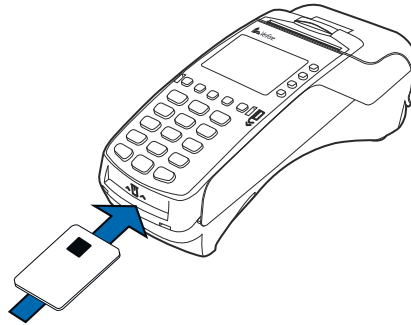


Figure 18 Inserting a Smart Card



Leave the smart card in the card reader until the transaction is complete. Premature card removal will invalidate the transaction.

Using the Magnetic Card Reader

The VX 520 terminal supports credit or debit card transactions.

To conduct a credit or debit card transaction

- 1 Position a magnetic card with the stripe in the card reader and facing inward, toward the keypad.
- 2 To ensure a proper read of the magnetic swipe card, the user should insert the magnetic card from the top of the unit, as shown in [Figure 19](#).
- 3 Swipe the card through the magnetic card reader.

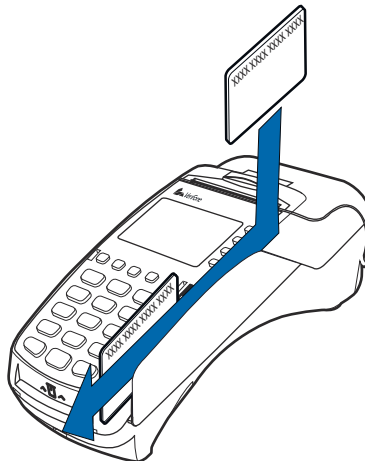


Figure 19 Using the Magnetic Card Reader

VX 520 Sprocket Setup

This section describes the setup procedures for the VX 520 Sprocket terminal. You will learn about:

- Selecting Terminal Location
- Unpacking the Shipping Carton
- Examining Terminal Features
- Establishing Telephone and Line Connections
- Installing Paper in the Tray
- Installing/Replacing MSAM Cards
- Connecting Optional Devices
- Connecting the Terminal Power Pack
- Privacy Shield (Optional)
- Using the Smart Card Reader
- Using the Magnetic Card Reader

Selecting Terminal Location

Use the following guidelines when selecting a location for your VX 520 Sprocket terminal.

Ease of Use

- Select a location convenient for both merchant and cardholder.
- Select a flat support surface, such as a countertop or table.
- Select a location near a power outlet and a telephone/modem line connection. For safety, do not string the power cord in a walkway or place it across a walkway on the floor.

Environmental Factors

- Do not use the terminal where there is high heat, dust, humidity, moisture, or caustic chemicals or oils.
- Keep the terminal away from direct sunlight and anything that radiates heat, such as a stove or motor.
- Do not use the terminal outdoors.

CAUTION

The terminal is not waterproof or dustproof, and is intended for indoor use only. Any damage to the unit from exposure to rain or dust may void any warranty.

Electrical Considerations

- Avoid using this product during electrical storms.
- Avoid locations near electrical appliances or other devices that cause excessive voltage fluctuations or emit electrical noise (for example, air conditioners, electric motors, neon signs, high-frequency or magnetic security devices, or computer equipment).
- Do not use the terminal near water or in moist conditions.

Unpacking the Shipping Carton

Open the shipping carton and carefully inspect its contents for possible tampering or shipping damage. The VX 520 Sprocket terminal is a secure product and any tampering may cause the device to cease to function properly.

To unpack the shipping carton

- 1 Remove and inspect the following items:
 - Terminal
 - Power pack
 - Telephone line cord
 - Power cord
- 2 Remove all plastic wrapping from the terminal and other components.
- 3 Remove the clear protective film from the LCD screen.



CAUTION Do not use a terminal that has been damaged or tampered with. The VX 520 Sprocket terminal comes equipped with tamper-evident labels. If a label or component appears damaged, please notify the shipping company and your VeriFone representative or service provider immediately.

- 4 Save the shipping carton and packing material for future repacking or moving the terminal.

Examining Terminal Features Before you continue the installation process, notice the features of the VX 520 Sprocket terminal (see Figure 20).

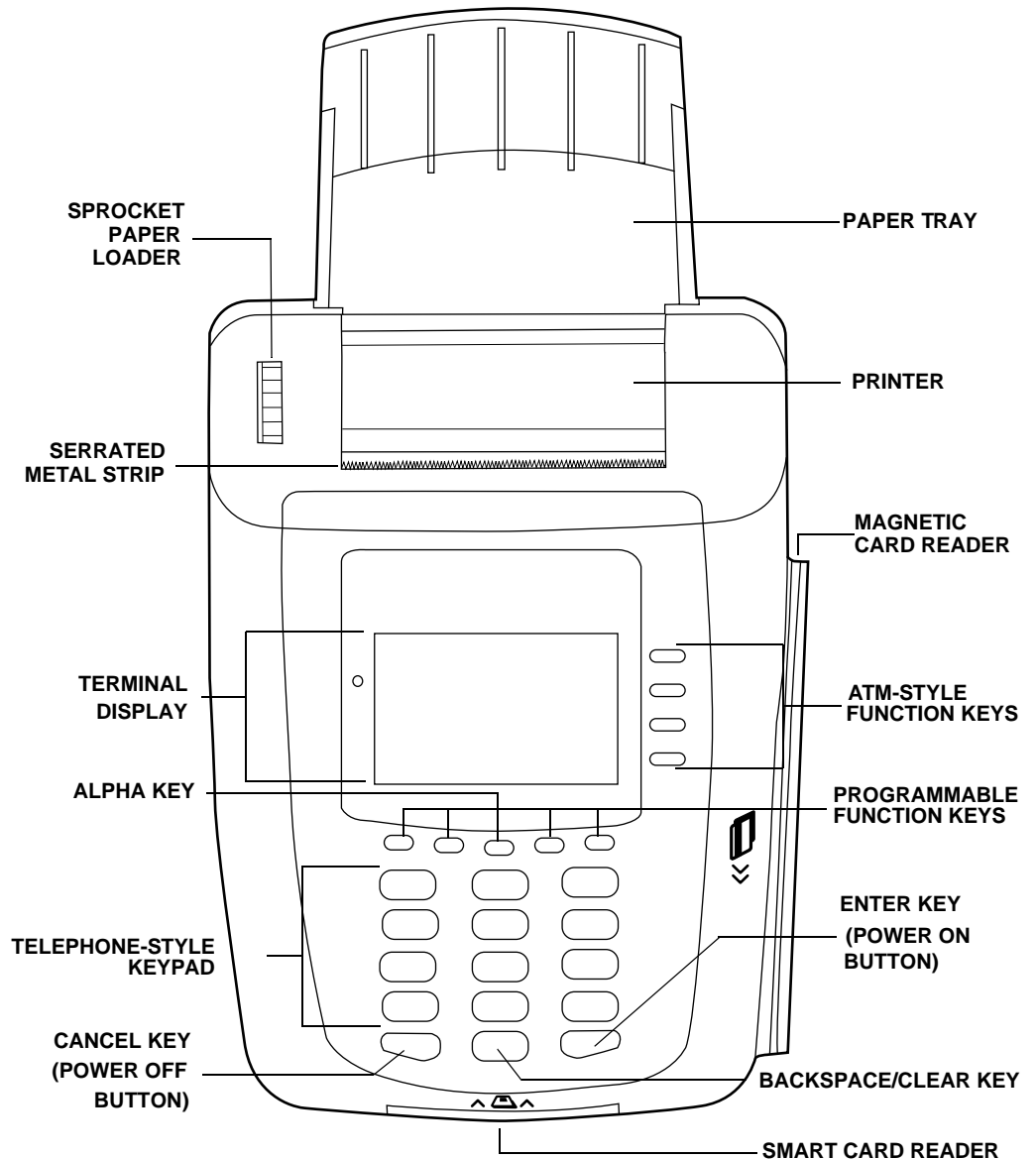


Figure 20 VX 520 Sprocket Terminal Features (Front Panel)

Front Panel

The front panel includes the following features:

- A **terminal display**, backlit LCD screen.
- Five types of keys:
 - a** A 12-key, **telephone-style keypad**.
 - b** Four **ATM-style function keys**, labeled F1 to F4, to the right of the LCD screen.
 - c** Four unlabeled, **programmable function keys** above the keypad.

d Three **color-coded function keys** below the keypad (icons at right; from left to right: CANCEL, BACKSPACE/CLEAR, ENTER). The Cancel key also acts as the Power Off button, while the Enter key also functions as the Power On button. Press the Enter key for at least three seconds to power on the terminal, and press the Cancel key for at least four seconds to power the terminal off



e An **ALPHA key** centered at the top of the keypad.

- A **magnetic card reader**, built into the right side. The icon at right shows the proper swipe direction, with the stripe down and facing inward, toward the keypad.



- An **internal, sprocket-fed, serial dot-matrix printer**.

- A **smart card reader**, built into the front of the terminal. The icon shown at right indicates proper card position and insertion direction.



- Three **SAM (security access module) compartments**, built into the side of the terminal. The VX 520 Sprocket terminal contains MSAM cardholders to support multiple stored-value card programs or other merchant card requirements.

Connection Ports

Turn the terminal upside down to view the connection ports. Notice that the ports are recessed. Different ports provide connections to a communications line, optional peripheral devices, and the power supply.

Figure 21 and Figure 22 show the connection ports for the VX 520 Sprocket terminal.

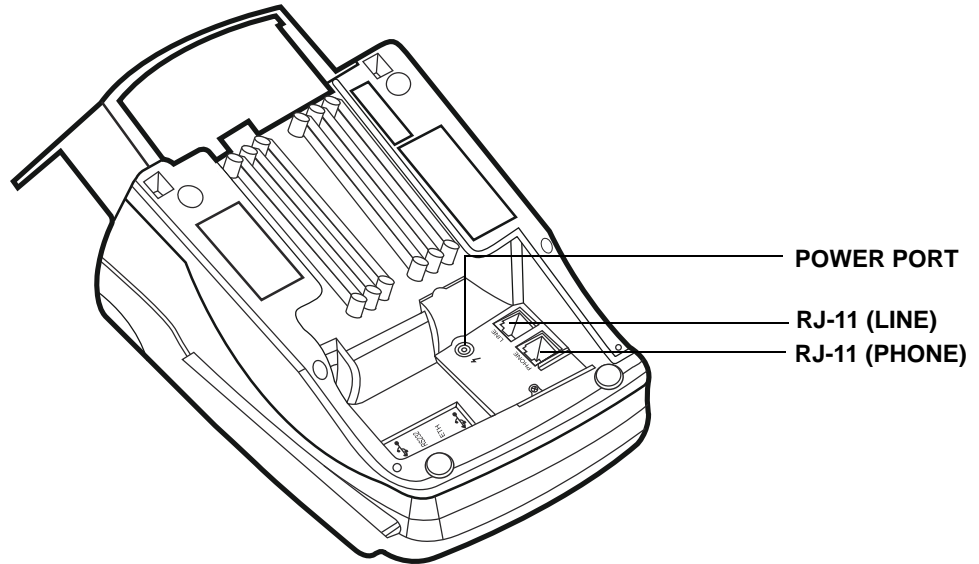


Figure 21 VX 520 Sprocket Power and Connection Ports

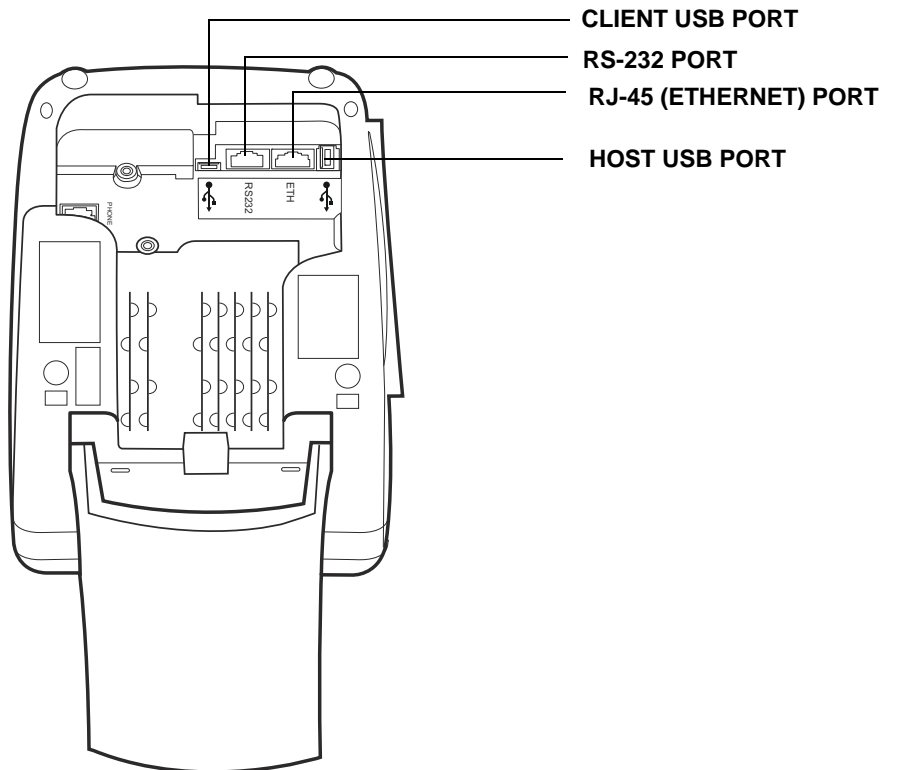


Figure 22 VX 520 Sprocket Additional Connection Ports

To use the connection ports The connection ports offer multiple connectivity for the VX 520 Sprocket terminal. Please refer to the following list of peripheral devices for the connectivity options.

Host USB Port

- PINpad 1000 USB
- Vx810 USB
- Barcode reader
- Biometric reader
- USB flash disk
- USB keyboards

Ethernet Port

- Ethernet cable to router, hub or switch

Client USB Port

- PC
- ECR/Cash register

RJ-11 Ports

- Telephone
- Line

RS-232 Port

- PINpad 1000
- Vx810
- PC download cable
- Computer
- ECR
- Check reader
- CTLS reader
- Biometric reader
- Barcode reader
- Keyboard

For information on how to attach peripheral devices, see [Connecting Optional Devices](#).

Establishing Telephone and Line Connections Connect a telephone cord (RJ-11) from the **Line** port on the terminal, then route it directly to a telephone wall jack. Connect a telephone unit to the **Phone** port (see Figure 23).

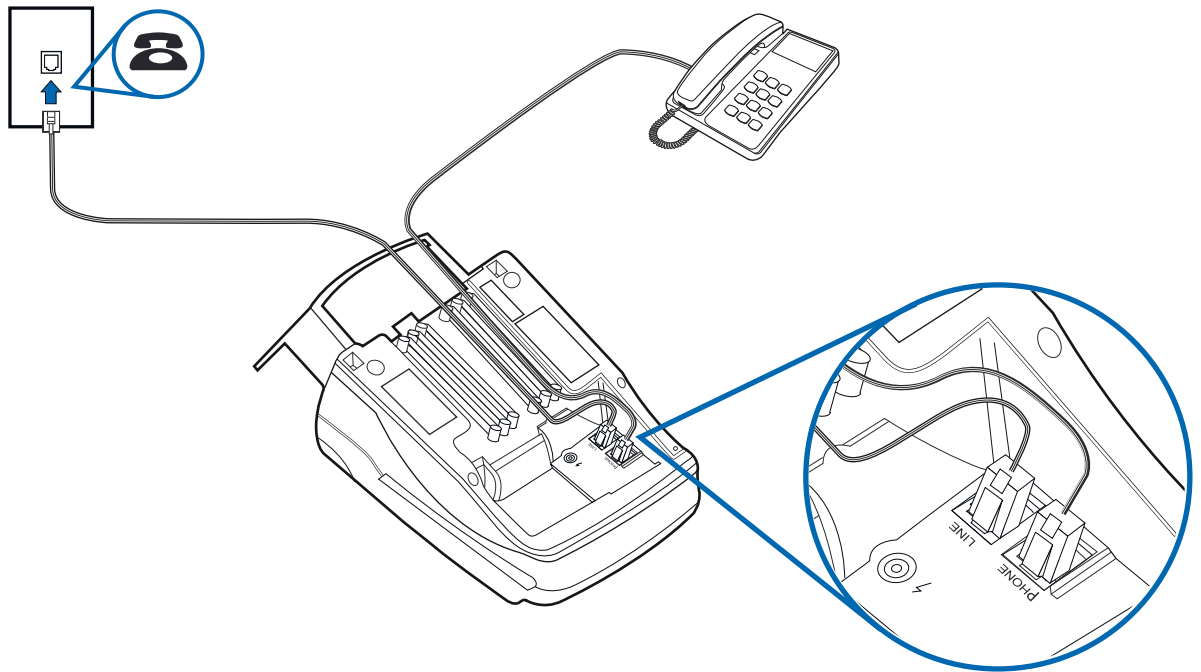


Figure 23 VX 520 Sprocket Telephone and Line Connections



To reduce the risk of fire, use only No. 26AWG or larger UL Listed or CSA Certified Telecommunication Line Cord.

Installing Paper Tray The VX 520 Sprocket terminal uses 76 mm carbonized paper sheets. This type of paper requires an external-mounted paper tray. Use the following procedure to install the paper tray for the VX 520 Sprocket terminal:

- To install the paper tray**
- 1** Align the slots with the paper tray clasps.
 - 2** Slide the paper tray into the rear of the terminal.

- 3 Hook the clasps into the slots to secure the tray and snap the lock on the lower end of the tray.

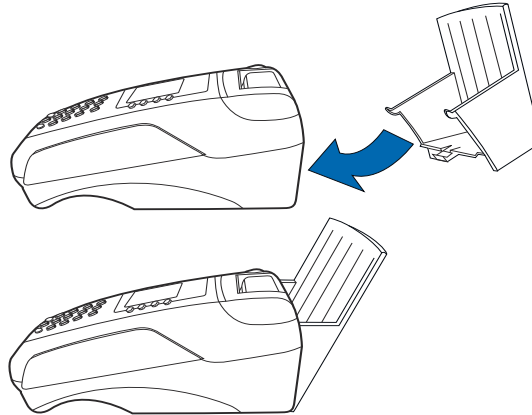


Figure 24 Attaching Paper Tray

Installing Paper in the Tray

Before you can process transactions that require a receipt or record, you *must* install paper in the printer tray.

The VX 520 Sprocket uses a stack of double-ply carbonized paper.

To install a paper stack

- 1 Remove any partial stack of paper in the printer tray.
- 2 Place the new stack of paper into the tray
- 3 Feed the first sheet of paper into the sprocket printer and then turn the sprocket to feed the paper to the printer.

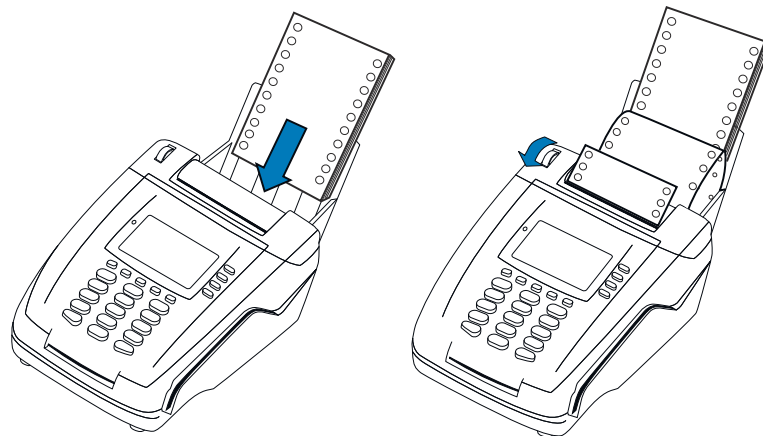


Figure 25 Loading Paper Stack

Installing/Replacing MSAM Cards

When you first receive your VX 520 Sprocket terminal, you may need to install one or more MSAM cards or you may need to replace old cards.



CAUTION Observe standard precautions when handling electrostatically sensitive devices. Electrostatic discharges can damage this equipment. VeriFone recommends using a grounded anti-static wrist strap.

To install or replace MSAMs

- 1 Remove the power cord from the power outlet.
- 2 Place the terminal upside down on a soft, clean surface to protect the display from scratches.
- 4 Unscrew the MSAM cardholder cover and pull the cover away to expose the MSAM slots.

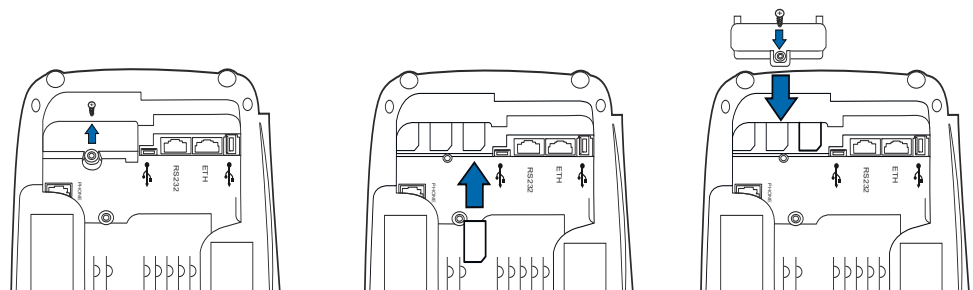


Figure 26 Installing or Replacing MSAMs

- 5 Remove any previously installed MSAM card by sliding the card from the MSAM cardholder.
- 6 Install an MSAM card by carefully sliding it into the slot until it is fully inserted.

NOTE



Before inserting the MSAM card, position it as shown in [Figure 26](#), with the card's gold contacts facing down. The cardholder connector base has an image resembling the notched corner of an MSAM card to ensure the card is positioned correctly.

- 7 Return and secure the MSAM cardholder cover with the screw.

Connecting Optional Devices

The VX 520 Sprocket terminal supports some peripheral devices designed for use with electronic point-of-sale terminals.

CAUTION



Before connecting any peripheral device, remove the power cord from the terminal. Reconnect the power cord only *after* you are finished connecting the peripheral device(s). For complete information about peripheral installation and use, refer to the user documentation supplied with those devices.

NOTE



When the VX 520 Sprocket terminal is powered via the corded power supply, the terminal provides 1.7 A at 24V DC. This power will drive most VeriFone accessories. Contact your local VeriFone representative for more information.

Different terminals support different devices, so for more information about optional devices, please contact your VeriFone distributor.

Optional Device Connections

The VX 520 Sprocket terminal has a port that can operate either as a PIN pad port or an RS-232 port, depending on the power source available.

Connecting the PIN pad or Smart Card Reader to the VX 520 Sprocket

Use the following procedures to connect a PIN pad to the VX 520 Sprocket.

Figure 27 provides an example of a peripheral connection to the Host USB port

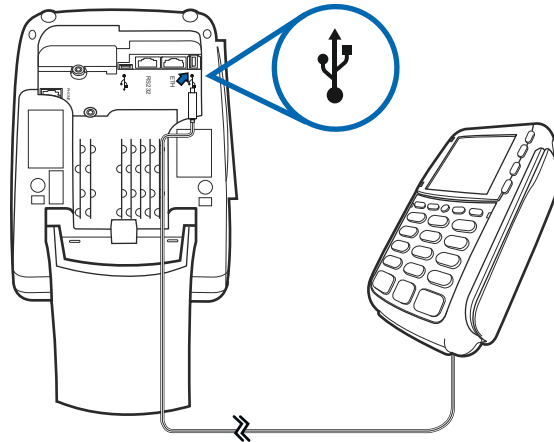


Figure 27 VX 520 Sprocket Sample PIN pad Connection

- 1 Turn the terminal upside down to access the connection ports.
- 2 Insert the USB connector of the PIN pad into the USB port of the VX 520 Sprocket.

Connecting ECRs to the VX 520 Sprocket

The VX 520 Sprocket terminal also supports Electronic Cash Registers (ECR). Contact your VeriFone representative or visit the online store at www.store.verifone.com for information on these devices.

Figure 28 provides an example of a peripheral connection to the Client USB port.



ECRs require a separate power source. Before connecting a check reader or similar device, remove the power cord and ensure that the indicator LED is not lit.

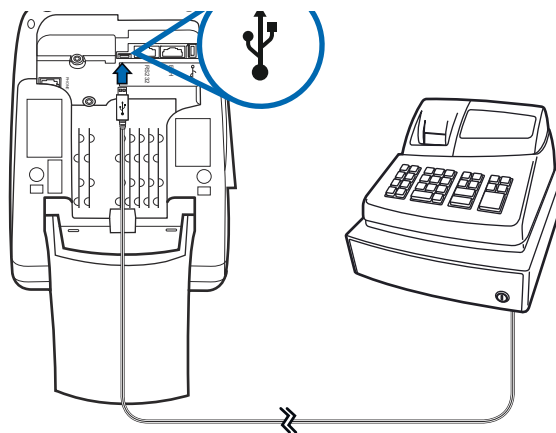


Figure 28 VX 520 Sprocket Sample ECR Connection

Connecting the Terminal Power Pack

When you have finished connecting optional peripheral(s), you are ready to connect the VX 520 Sprocket terminal to the provided power source.



CAUTION Using an incorrectly rated power supply may damage the terminal or cause it not to work as specified. Before troubleshooting, ensure that the power supply being used to power the terminal matches the requirements specified on the bottom of the terminal. (See [Chapter 3, Specifications](#), for detailed power supply specifications.) Obtain the appropriately rated power supply before continuing with troubleshooting.

To connect the terminal power pack

- 1 Turn the terminal upside down to access the power port.
- 2 Insert the round barrel connector (see [Figure 29](#)) into the power port.

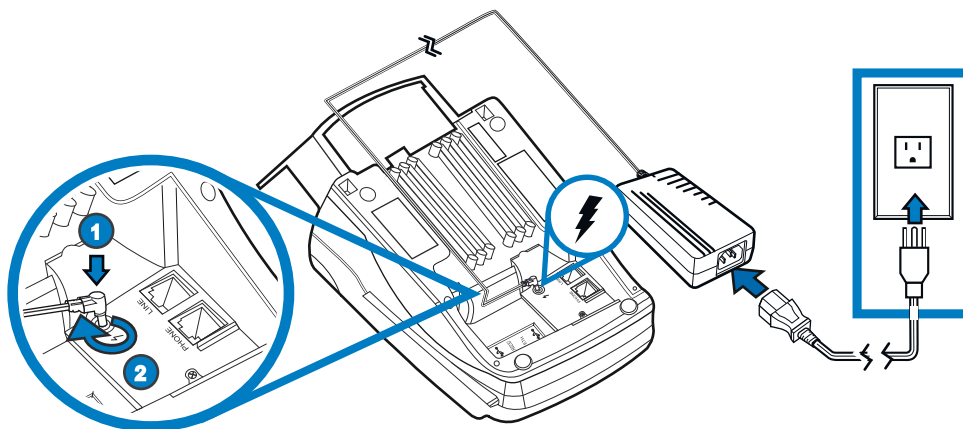


Figure 29 VX 520 Sprocket Power Pack Connection

- 3 Rotate the power plug counter-clockwise and flush against the side panel to lock the plug in place.
- 4 Route the cable in one of the channels on the underside of the terminal.
- 5 Insert the AC power cord into the power pack.

- 6 Plug the AC power cord into a wall outlet or powered surge protector.
- 7 Press the Enter key for at least three seconds to power on the terminal.

WARNING



Do not plug the power pack into an outdoor outlet or operate the terminal outdoors.

Disconnecting the power during a transaction may cause transaction data files not yet stored in terminal memory to be lost.

To protect against possible damage caused by lightning strikes and electrical surges, consider installing a power surge protector.

NOTE



VeriFone recommends connecting wall power in the following order:

- 1 Connect the terminal to the power supply.
- 2 Connect the power supply to the power cord.
- 3 Connect the power cord to the wall outlet.

If an application is loaded in the terminal, it starts after the initial VeriFone copyright screen and usually displays a unique copyright screen. If no application is loaded in the terminal, **DOWNLOAD NEEDED** appears on screen after the initial VeriFone copyright screen.

Privacy Shield (Optional)

The privacy shield protects the customers' PIN entry from being seen by the cashier or other customers.

NOTE



Merchants who install the terminal without the privacy shield must ensure the cardholder's privacy when entering his PIN by positioning the terminal away from open view.

Using the Smart Card Reader

The smart card transaction procedure may vary from one application to another. Verify the procedure with your application provider before performing a smart card transaction.

To conduct a smart card transaction

- 1 Position a smart card with the contacts facing upward (see [Figure 30](#)).
- 2 Insert the smart card into the smart card reader slot in a smooth, continuous motion until it seats firmly.
- 3 Remove the card only when the application indicates the transaction is complete.

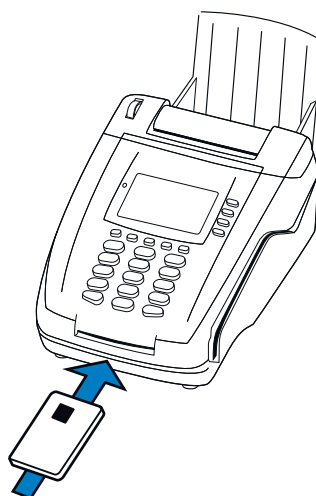


Figure 30 Inserting a Smart Card



Leave the smart card in the card reader until the transaction is complete. Premature card removal will invalidate the transaction.

Using the Magnetic Card Reader

The VX 520 Sprocket terminal supports credit or debit card transactions.

To conduct a credit or debit card transaction

- 1** Position a magnetic card with the stripe in the card reader and facing inward, toward the keypad.
- 2** To ensure a proper read of the magnetic swipe card, the user should insert the magnetic card from the top of the unit, as shown in [Figure 31](#).
- 3** Swipe the card through the magnetic card reader.

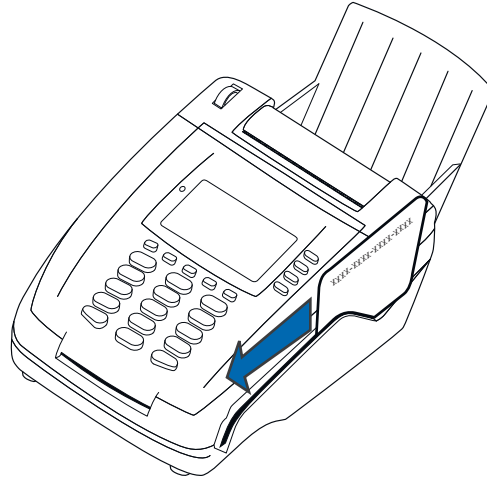


Figure 31 Using the Magnetic Card Reader



Specifications

This chapter discusses power requirements, dimensions, and other specifications of the VX 520 terminals:

- [VX 520 Specifications](#)
- [VX 520 Sprocket Specifications](#)

VX 520 Specifications

Power VX 520 terminal: 9.3V DC; 4.0 A

DC Power Pack UL, ITE listed, LPS power supply:

a Input rated: 100 - 240V AC, 50/60 Hz

b Output rated: 9.3V DC 4.0 A

Barrel connector polarity:



- Temperature**
- Operating temperature: 0° to 40° C (32° to 104° F)
 - Storage temperature: -20° to + 60° C (-4° to 140° F)
 - Relative humidity: 5% to 85%; no condensation

- External Dimensions**
- Length: 203 mm (7.9 in)
 - Width: 87 mm (3.4 in)

VX 520 Sprocket Specifications

Power VX 520 Sprocket terminal: 24V DC; 1.7 A

DC Power Pack UL, ITE listed, LPS power supply:

a Input rated: 100 - 240V AC, 50/60 Hz

b Output rated: 24V DC; 1.7 A

Barrel connector polarity:



- Temperature**
- Operating temperature: 0° to 40° C (32° to 104° F)
 - Storage temperature: -20° to + 60° C (-4° to 140° F)
 - Relative humidity: 5% to 85%; no condensation

- External Dimensions**
- Length: 263.48 mm (10.37 in)
 - Width: 142.89 mm (5.62 in)

SPECIFICATIONS

VX 520 Sprocket Specifications

Maintenance

The VX 520 terminal has no user-maintainable parts.

Clean the Terminal

To clean the terminal, use a clean cloth slightly dampened with water and a drop or two of mild soap. For stubborn stains, use alcohol or an alcohol-based cleaner.



Never use thinner, trichloroethylene, or ketone-based solvents – they may cause deterioration of plastic or rubber parts.

Do not spray cleaners or other solutions directly onto the keypad or terminal display.

Terminal Contacts

Gently swab the contacts with alcohol or contact cleaner to remove the dirt. It is important that the exposed contacts of the VX 520 terminal stay clean and unbent.



Avoid touching the contacts of the terminal. Finger oils tarnish contacts, causing bad connections. When experiencing a high occurrence of bad or incomplete data transfers, clean the contacts.

Smart Card Reader

Do not attempt to clean the smart card reader. Doing so may void any warranty. For smart card reader service, contact your VeriFone distributor or service provider.

VeriFone Service and Support

For terminal problems, contact your local VeriFone representative or service provider.

For product service and repair information:

- USA – VeriFone Service and Support Group, 1-800-VeriFone (837-4366), Monday - Friday, 8 A.M. - 8 P.M., Eastern time
- International – Contact your VeriFone representative

Return a Terminal for Service

Before returning a VX 520 terminal to VeriFone, you must obtain an MRA number. The following procedure describes how to return one or more VX 520 terminals for repair or replacement (U.S. customers only).

NOTE



International customers are advised to contact their local VeriFone representative for assistance regarding service, return, or replacement of terminals.

To return a terminal for service

- 1 Get the following information from the printed labels on the bottom of *each* VX 520 terminal to be returned:
 - Product ID, including the model and part number. For example, “VX 520” and “Pxxx- xxx-xx,” “Mxxx-xx-xx-xxx,” or “2xxxx-xx”
 - Serial number (S/N xxx-xxx-xxx)
- 2 Obtain the MRA numbers by completing one of the following:
 - a Call VeriFone toll-free within the United States at 1-800-VeriFone and follow the automated menu options.
 - Select the MRA option from the automated message. The MRA department is open Monday to Friday, 8 A.M.–8 P.M., Eastern Time.
 - Give the MRA representative the information you gathered in Step 1. If the list of serial numbers is long, you can fax the list, along with the information gathered in Step 1, to the MRA department at 727-953-4172 (U.S.).
 - b Address a fax to “VeriFone MRA Dept.” with the model and part number(s)
 - Include a telephone number where you can be reached and your fax number.

- c Complete the Inquiry Contact Form at http://www.verifone.com/aboutus/contact/contact_form.cfm.
 - Address the Subject box with to “VeriFone MRA Dept.”
 - Reference the model and part number in the Note box.



One MRA number must be issued for each VX 520 terminal you return to VeriFone, even if you are returning several of the same model.

- 3 Describe the problem(s).
- 4 Provide the shipping address where the repaired or replacement unit must be returned.
- 5 Keep a record of the following items:
 - Assigned MRA number(s).
 - VeriFone serial number assigned to the VX 520 terminal you are returning for service or repair (terminal serial numbers are located on the bottom of the unit).
 - Shipping documentation, such as air bill numbers used to trace the shipment.
 - Model(s) returned (model numbers are located on the VeriFone label on the bottom of the VX 520 terminal).

Accessories and Documentation

VeriFone produces the following accessories and documentation for the VX 520 terminal. When ordering, please refer to the part number in the left column.

- VeriFone online store at www.store.verifone.com
- USA – VeriFone Customer Development Center, 800-VeriFone (837-4366), Monday - Friday, 7 A.M. - 8 P.M., Eastern time
- International – Contact your VeriFone representative

Power Pack

Contact your local VeriFone distributor to determine which power pack or power cord fits your needs.

VPN PWR258-001-01-A	36W power supply
VPN WIR30017	AC power cord (US)

Printer Paper

VPN PPR 268-001-01-A	38 mm (1.49 in) diameter, 57 mm (2.24 in) wide
VPN PPR 252-001-01-A	49 mm (1.93 in) diameter, 57 mm (2.24 in) wide

Supplementary Hardware

STA252-001-01-A	Swivel stand
STA252-005-01-A	Wall-mount stand

VeriFone Cleaning Kit	VPN 02746-01	Cleaning kit
Telephone Line Cord	VPN CBL000-001-01-A	2.1 meter (7 foot) telephone line cord, black, with modular RJ-11-type connectors
Documentation	VPN DOC252-001-EN	<i>VX 520 Certifications and Regulations</i>
	VPN DOC252-002-EN	<i>VX 520 Quick Installation Guide</i>
	VPN DOC252-004-EN	<i>VX 520 Reference Manual</i>
	VPN DOC252-006-EN	<i>VX 520 Sprocket Printer Certifications and Regulations</i>
	VPN DOC252-007-EN	<i>VX 520 Sprocket Printer Quick Installation Guide</i>

Troubleshooting Guidelines

The troubleshooting guidelines provided in the following section are included to assist you to successfully install and configure your VX 520 terminal. If you have problems operating your VX 520 terminal, please read through these troubleshooting examples.

If the problem persists even after performing the outlined guidelines or if the problem is not described below, contact your local VeriFone representative for assistance. Typical examples of malfunction you may encounter while operating your VX 520 terminal and steps you can take to resolve them are listed.

NOTE

The VX 520 terminal comes equipped with tamper-evident labels. The VX 520 contains no user serviceable parts. Do not, under any circumstance, attempt to disassemble the terminal. Perform only those adjustments or repairs specified in this guide. For all other services, contact your local VeriFone service provider. Service conducted by parties other than authorized VeriFone representatives may void any warranty.

CAUTION

Using an incorrectly rated power supply may damage the terminal or cause it not to work as specified. Use only a VeriFone-supplied power pack with the correct output ratings. Before troubleshooting, ensure that the power supply being used to power the terminal matches the requirements specified on the bottom of the terminal. (See [Specifications](#) for detailed power supply specifications.) Obtain the appropriately rated power supply before continuing with troubleshooting.

Blank Display

When the terminal display screen does not show correct or clearly readable information:

- Check terminal power connection.
- Remove and reapply power to the terminal.
- Check all cable connections and verify that the telephone line is properly connected.
- If the problem persists, contact your local VeriFone service provider.

Terminal Does Not Dial Out

If the terminal does not dial out:

- Check the telephone line connections.
- Check that the telephone line is working by plugging it into a working telephone and listening for a dial tone.
- Replace the telephone cable that connects the terminal with a cable you know is working correctly.
- If the problem persists, contact your local VeriFone service provider.

Printer Paper Jam

If paper jams inside the printer:

- Open the paper roll cover.
 - Remove the damaged paper from the paper roll and clear the feed mechanism.
 - Install printer paper.
 - If the problem persists, it may be due to poor paper quality. Install a new roll of higher-quality paper.

WARNING

Poor-quality paper may jam the printer. To order high-quality VeriFone paper, refer to [Accessories and Documentation](#).

Keypad Does Not Respond

If the keypad does not respond properly:

- Check the terminal display. If it displays the wrong character or nothing at all when you press a key, follow the steps outlined in [Transactions Fail To Process](#).
- If pressing a function key does not perform the expected action, refer to the user documentation for that application to ensure you are entering data correctly.
- If the problem persists, contact your local VeriFone representative.

Peripheral Device Does Not Work

If any peripheral device (PIN pad or smart card reader) does not work properly:

- Check the power cord connection to the peripheral device.
- Check that the device connected to the proper port has power and is functioning properly. If possible, perform a self-test on the device in question.
- The cable connecting the optional device to the terminal serial port may be defective. Try a different serial cable. See [Connecting Optional Devices](#).
- If the problem persists, contact your local VeriFone representative.

Transactions Fail To Process

There are several reasons why the terminal may not be processing transactions. Use the following steps to troubleshoot failures.

Check the Magnetic Card Reader

- Perform a test transaction using one or more different magnetic stripe cards to ensure the problem is not a defective card.
- Ensure that you are swiping cards properly. With the card reader, the black magnetic stripe on the card should face down and inward, toward the keypad and must be inserted from the top of the terminal.
- Process a transaction manually, using the keypad instead of the card reader. If the manual transaction works, the problem may be a defective card reader.
- If the manual transaction does not work, proceed to [Check the Telephone Line](#).
- Contact your VeriFone distributor or service provider.

Check the Smart Card Reader

- Perform a test transaction using several different smart cards to ensure the problem is not a defective card.
- Ensure that the card is inserted correctly and that the card is not removed prematurely.
- Ensure the MSAM cards are properly inserted in the cardholders and that the cardholders are properly secured (see [Installing/Replacing MSAM Cards](#)).
- If the manual transaction does not process, proceed to [Check the Telephone Line](#).
- Contact your VeriFone distributor or service provider.

Check the Telephone Line

- Disconnect the telephone line from the terminal and connect it to a working telephone to check for a dial tone. If there is no dial tone, replace the telephone cable.
- If the problem appears to be with the telephone line, check with the party you are trying to call to see if their system is operational. If they are not experiencing difficulties with their line, contact the telephone company and have your line checked.
- If the telephone line works, contact your local VeriFone representative for assistance.

Printer Does Not Print

If the printer does not work properly:

- Check terminal power connection.
- Check if the printer is out of paper and that the roll is properly installed. Open the paper roll cover and install a new roll of printer paper or ensure that the roll is feeding from the bottom.
- Verify that the printer roller and paper roll dust cover are properly installed.
- If the problem persists, contact your VeriFone distributor or service provider.

Terminal Display Does not Show Correct or Readable Information

- Connect the terminal in to a known-good power supply (if you have one) to see if this clears the problem.
- If the problem persists, contact your local VeriFone representative for assistance.

Terminal Does Not Start

Make sure you press the **ENTER** key for approximately 3 seconds, until the unit lights up.



A

- accessories **54**
 - documentation **55**
 - ordering **55**
 - power packs **54**
 - printer paper **54**
 - telephone line cord **55**
 - VeriFone cleaning kit **55**

C

- cleaning kit **55**
- connection ports
 - VX 520 **19**
 - VX 520 Sprocket **36**
- contact VeriFone **53**

D

- dial out problems
 - troubleshooting **58**
- displays
 - troubleshooting **57, 60**
- documentation **54**
 - acronym definitions **6**
 - conventions **6**
 - ordering **55**

E

- electrical considerations **17, 24, 33**
- electrostatic discharges **24**
 - prevention **24**
- environmental factors **16**

I

- installation
 - connecting a PIN pad to VX 520 **27**
 - connecting a PIN pad to VX 520 Sprocket **41**
- installation VX 520
 - connecting a smart card reader to VX 520 **27**
 - connecting optional device(s) **26**
 - connecting the terminal power pack **29**
 - connecting the terminal to a telephone line **22**

- MSAM cards **24**
 - terminal location **16**
 - unpacking the shipping carton **17**
- installation VX 520 Sprocket
 - connecting a smart card reader to VX 520 Sprocket **41**
 - connecting optional device(s) **40**
 - connecting the terminal power pack **42**
 - connecting the terminal to a telephone line **38**

- MSAM cards **39**
 - terminal location **32**
 - unpacking the shipping carton **33**
- integrated printers
 - about the integrated printer paper **58**
 - paper jams **58**
 - troubleshooting **60**
- integrated printers VX 520
 - about the integrated printer paper **22**

K

- keypads
 - troubleshooting **58**

M

- maintenance **53**
 - avoid cleaning Smart Card Reader **51**
 - cleaning the terminal **51**
 - cleaning the terminal contacts **51**
 - returning a terminal for repair or replacement **53**

- MSAM cardholders **24, 39**

- MSAM cards
 - installation **24, 39**

O

- optional devices
 - connecting **26, 40**

P

- paper
 - for integrated printers **22, 58**
- paper jams

- troubleshooting **58**
- peripheral devices
 - troubleshooting **58**
- peripherals
 - troubleshooting **58**
- power buttons **14, 35**
- power packs
 - AC version **54**
 - connecting **29, 42**
 - DC version **54**
 - ordering **54**
- printer paper
 - 40 mm thermal **54**
 - 49 mm thermal **54**
 - sprocket-fed, carbonized **54**
- printer paper VX 520
 - storage **22**
- printers
 - troubleshooting **60**
- privacy shield
 - VX 520 **30**
 - VX 520 Sprocket **43**

S

- Service **53**
- service
 - returning a terminal for repair or replacement **53**
- specifications
 - VX 520 DC power pack **48**
 - VX 520 external dimensions **48**
 - VX 520 power **48**
 - VX 520 Sprocket DC power pack **49**
 - VX 520 Sprocket external dimensions **49**
 - VX 520 Sprocket power **49**
 - VX 520 Sprocket temperature **49**
 - VX 520 temperature **48**

T

- technical support **53**
 - contacting VeriFone **53**
 - returning a terminal for repair or replacement **53**
- telephone line connections **22, 38**
- telephone line cords
 - ordering **55**
- terminal features
 - VX 520 general **18**

- VX 520 Sprocket general **34**
- terminals
 - accessories **54**
 - cleaning **51**
 - documentation **54**
 - environmental factors **16**
 - repair **53**
 - replacement **53**
 - troubleshooting **57, 60**
 - VX 520 features **18**
 - VX 520 Sprocket features **34**
- transactions
 - VX 520 smart cards **30**
 - VX 520 Sprocket smart cards **44**
- troubleshooting
 - displays **57, 60**
 - keypads **58**
 - peripheral devices **58**
 - peripherals **58**
 - printers **60**
 - terminal transactions **59**
 - terminals **58, 60**

V

- VX 520
 - multi-application capability **12**
 - troubleshooting **60**
- VX 520 Sprocket
 - multi-application capability **14**
 - power button functions **35**
 - power buttons **14**
- VX 520 Sprocket terminal
 - benefits **13**
- VX 520 Sprocket terminals
 - electrical considerations **33**
- VX 520 terminal
 - benefits **10**
- VX 520 terminals
 - electrical considerations **17**



VeriFone, Inc.
2099 Gateway Place, Suite 600
San Jose, CA, 95110 USA
Tel: (800) VeriFone (837-4366)
www.verifone.com

VX 520

Installation Guide

